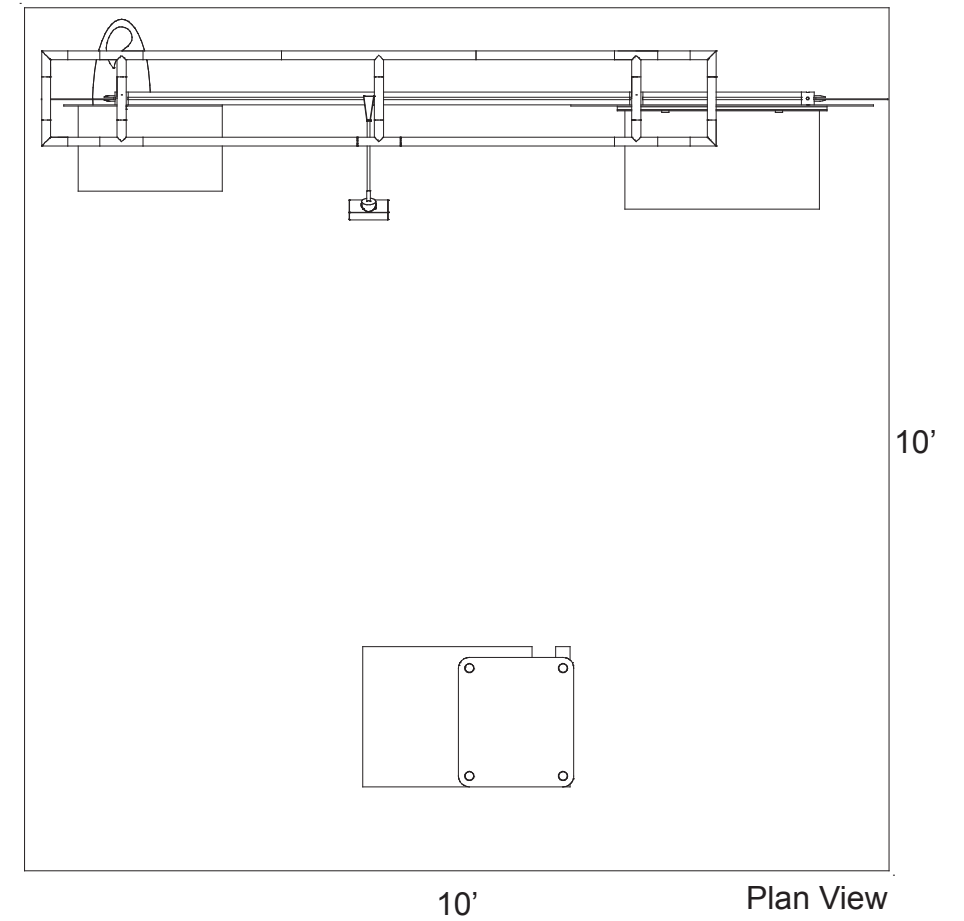
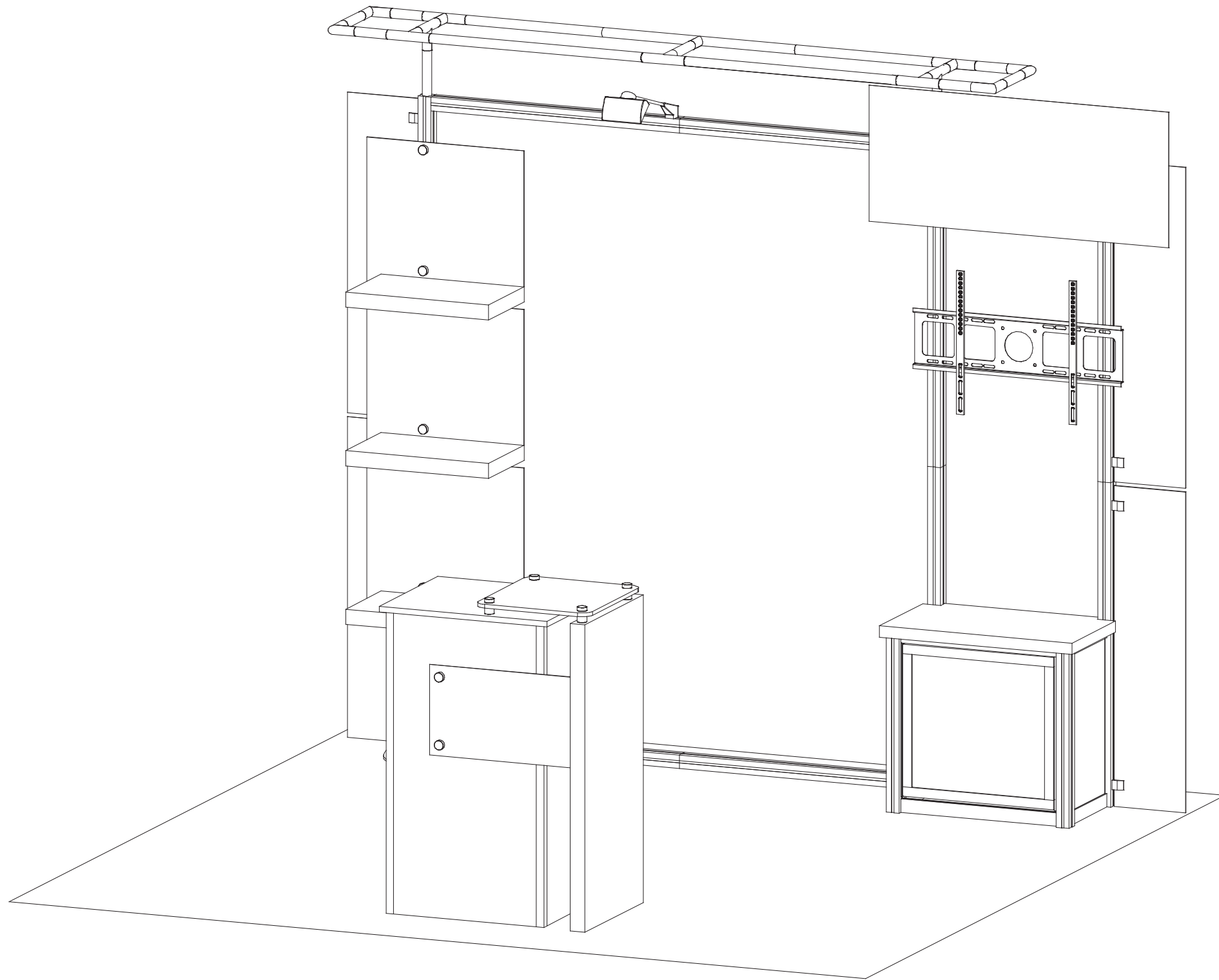
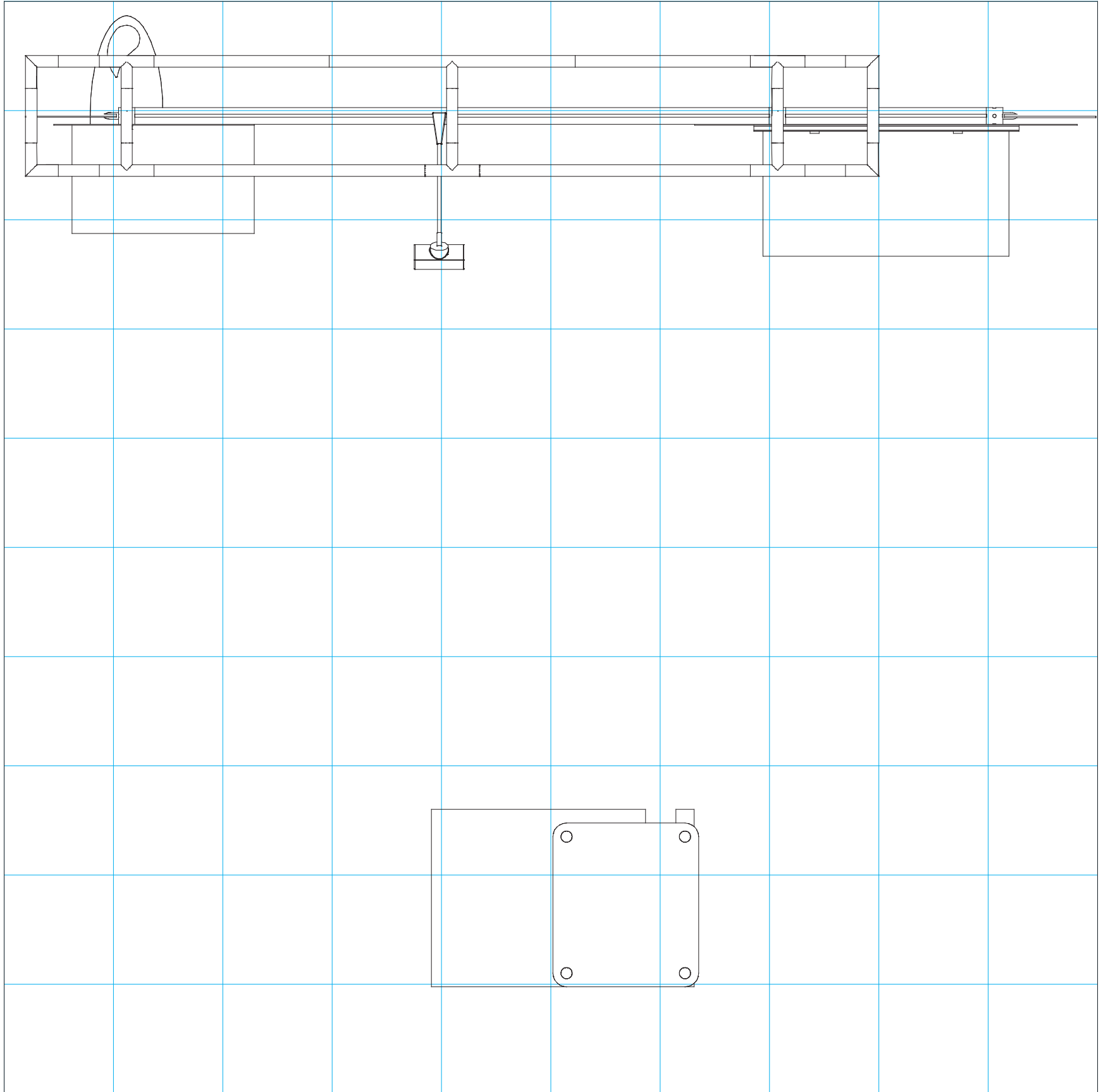


Order #XXXXX ECO-1067 10'x10' Booth with ECO-33C Pedestal





= 1 sq foot

## General Setup Instructions

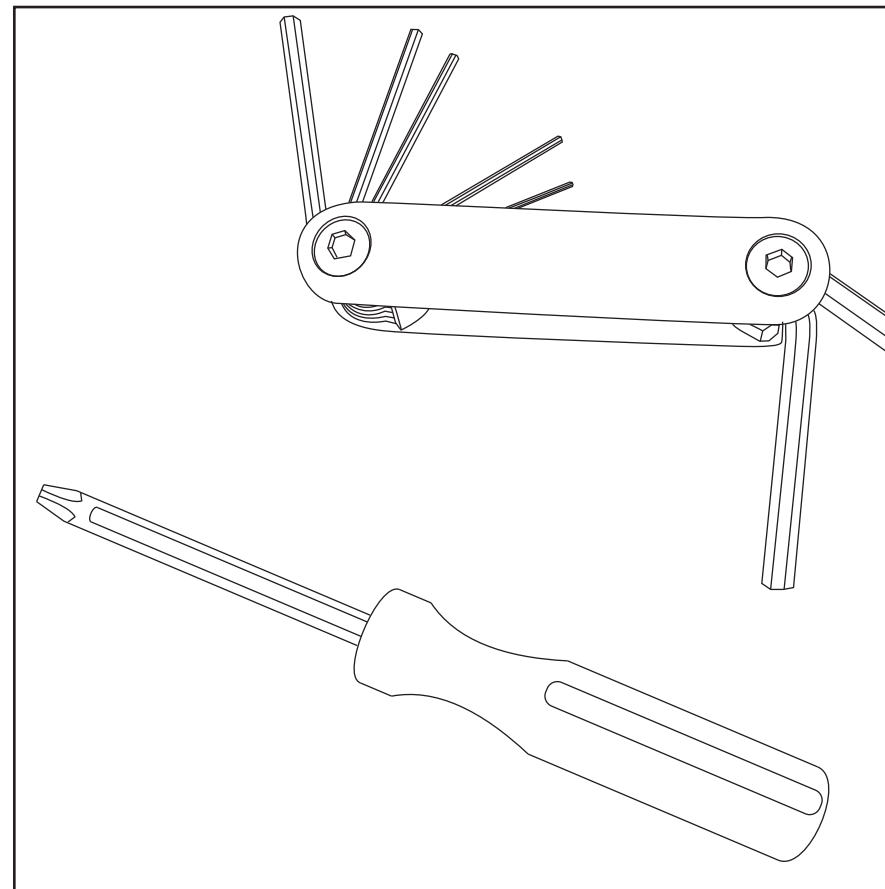
- The setup instructions are created specifically for your configuration.
- Setup instructions are laid out sequentially in levels, including exploded views and a logical series of steps for assembly. We encourage you to study the instructions before attempting to assemble your exhibit.

## Cleaning and Packing

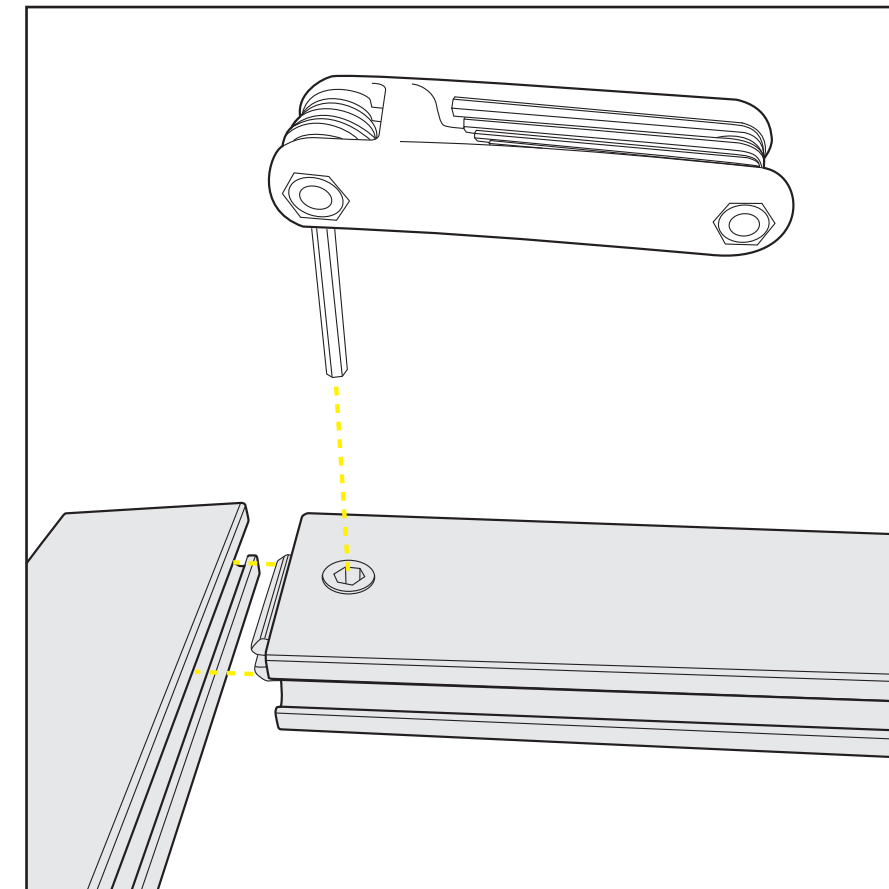
- Use non-abrasive cleaners when cleaning extrusions or ECO Glass inserts.
- Use mild cleaners and soft materials such as cotton to clean all laminates.
- Keep exhibit components away from extreme heat and long exposure to sun light. This will prevent warping and fading.
- Retain all packing material for ease of re-packing. This protects the exhibit components and keeps each part organized.

## Disassembling

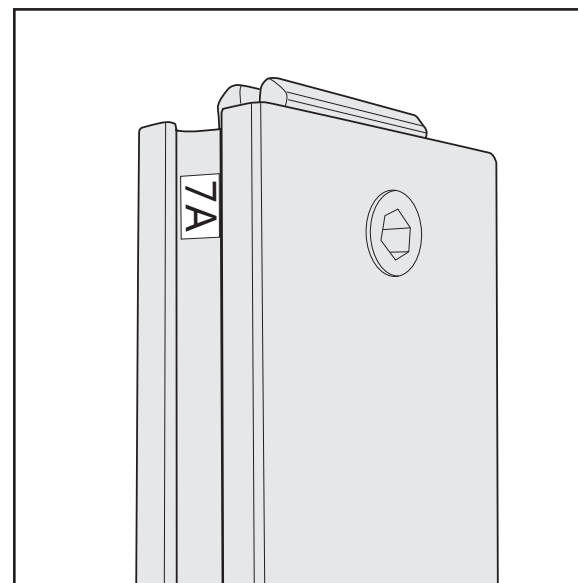
- When disassembling exhibit, tighten all setscrews to prevent loss of hardware in the shipping process.



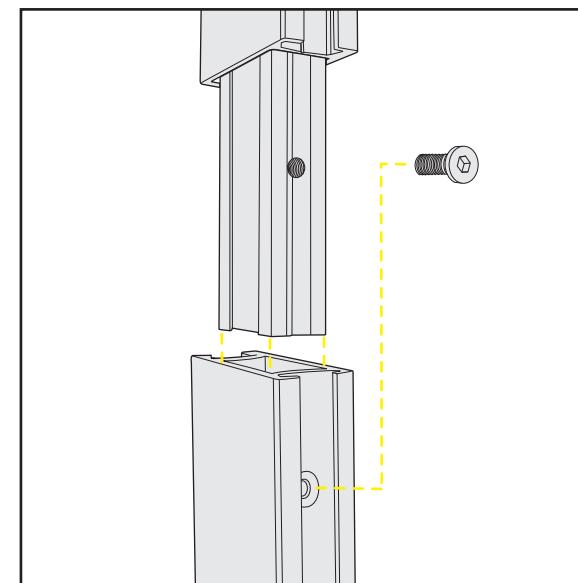
Hex Tool & Phillips Screwdriver are included for Assembling Exhibit



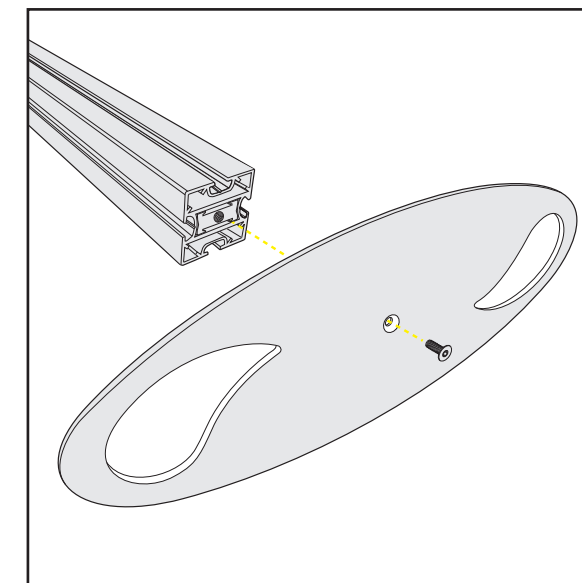
Extrusion Lock Connectors



Numbering Instructions for Setups/Packing

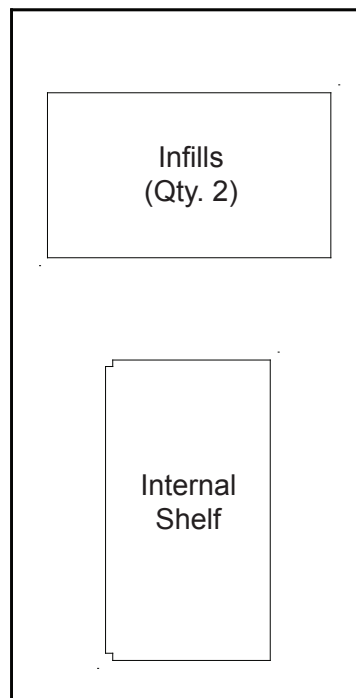


Inline Connection between Extrusions

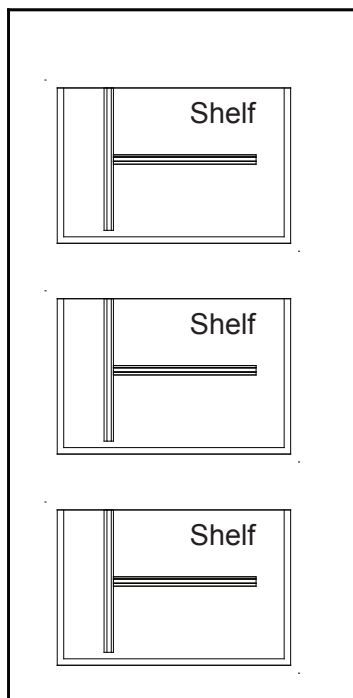


Baseplate Connection for Vertical Extrusions

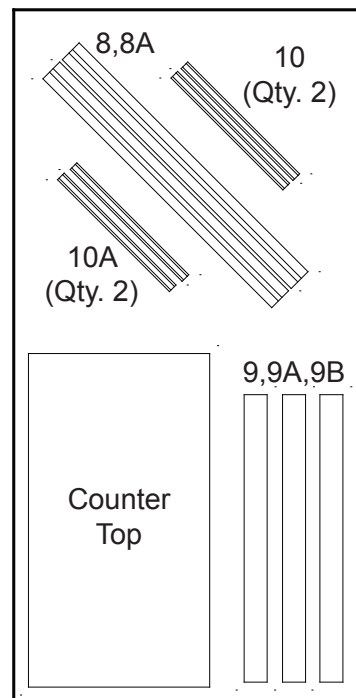
### Top View of Each Level



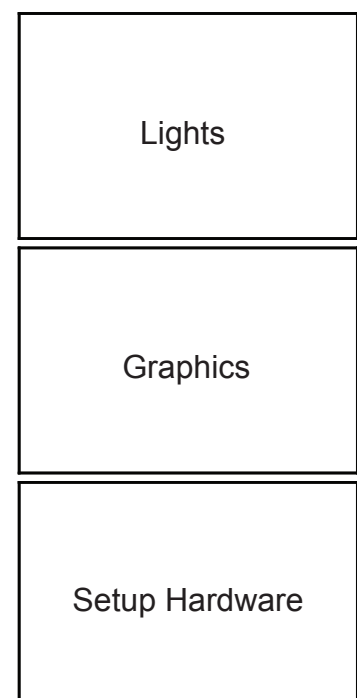
Level 1  
*(Bottom level)*



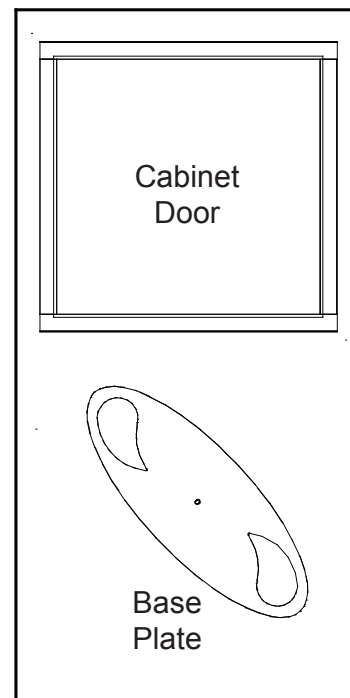
Level 2



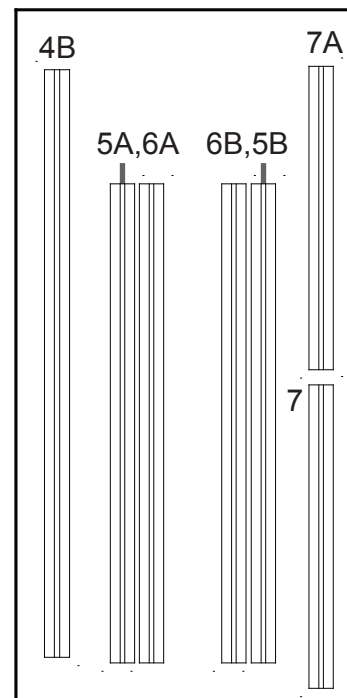
Level 3  
*(Top level)*



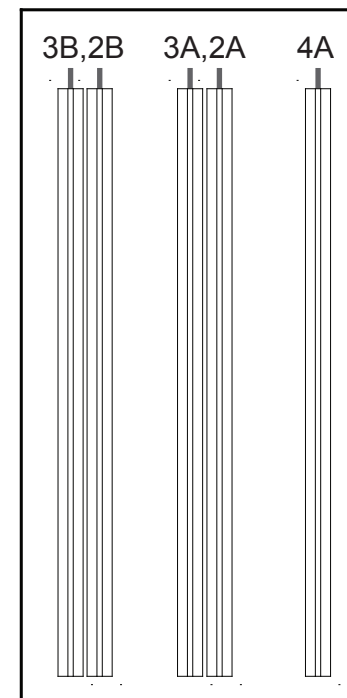
### Top View of Each Level



Level 1  
*(Bottom level)*

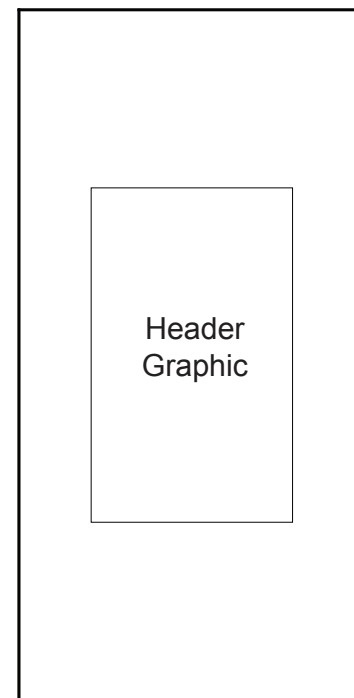


Level 2

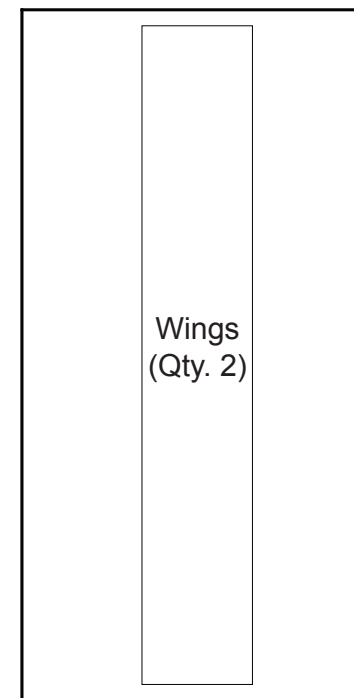


Level 3  
*(Top level)*

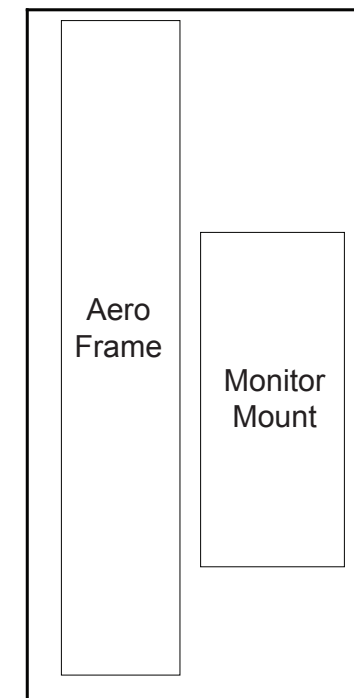
## Top View of Each Level



Level 1  
*(Bottom level)*

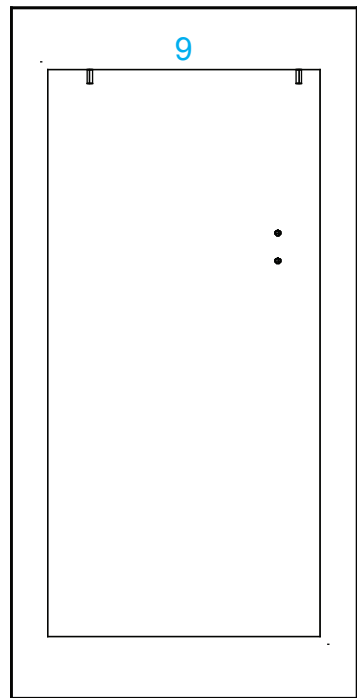


Level 2

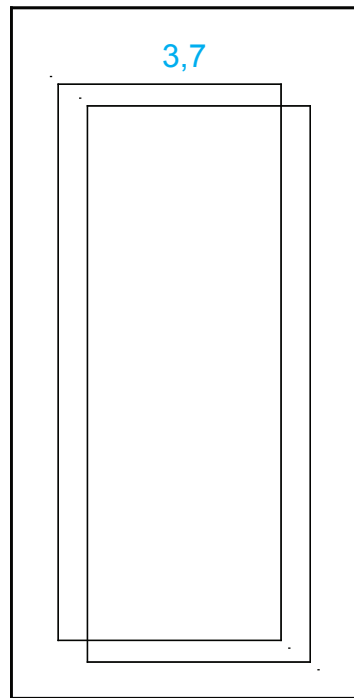


Level 3  
*(Top level)*

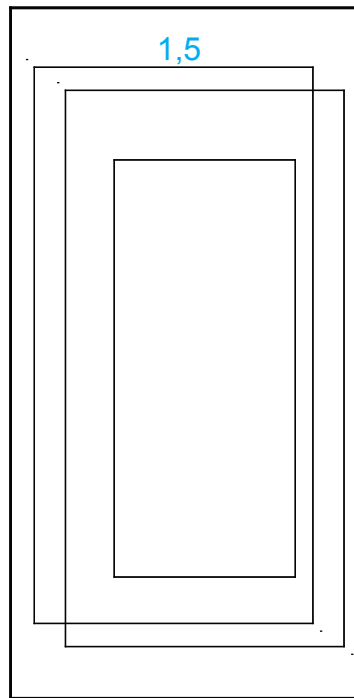
### Top View of Each Level



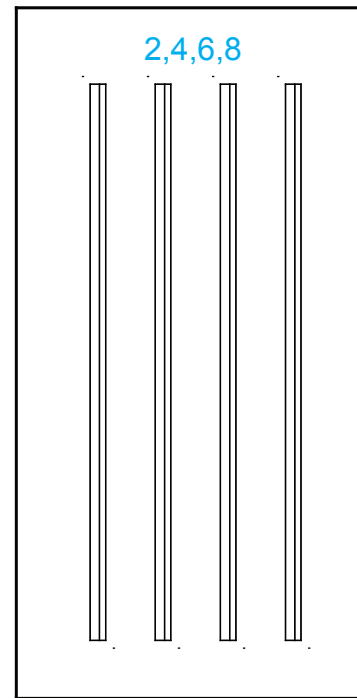
Level 1



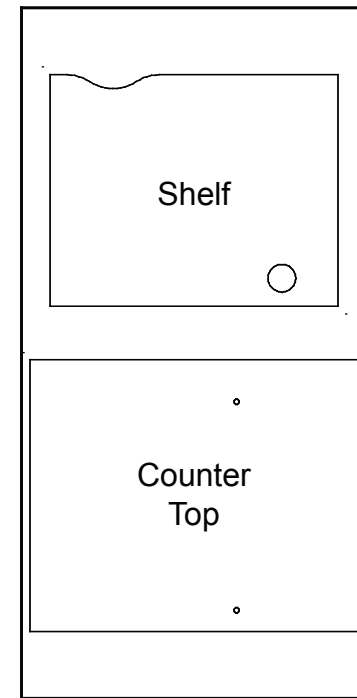
Level 2



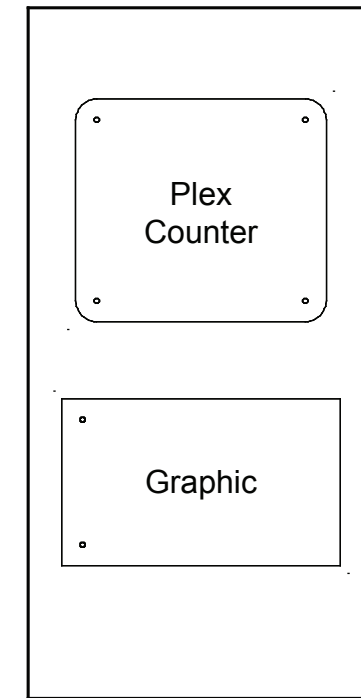
Level 3



Level 4



Level 5

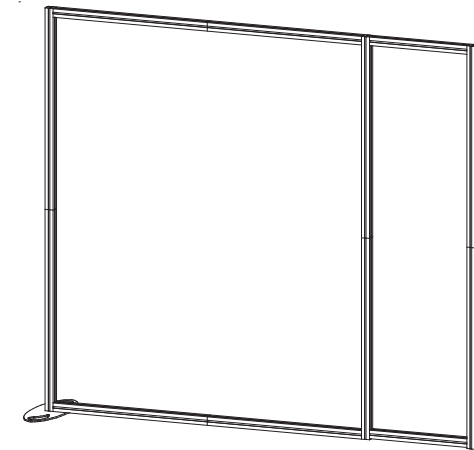


Level 6

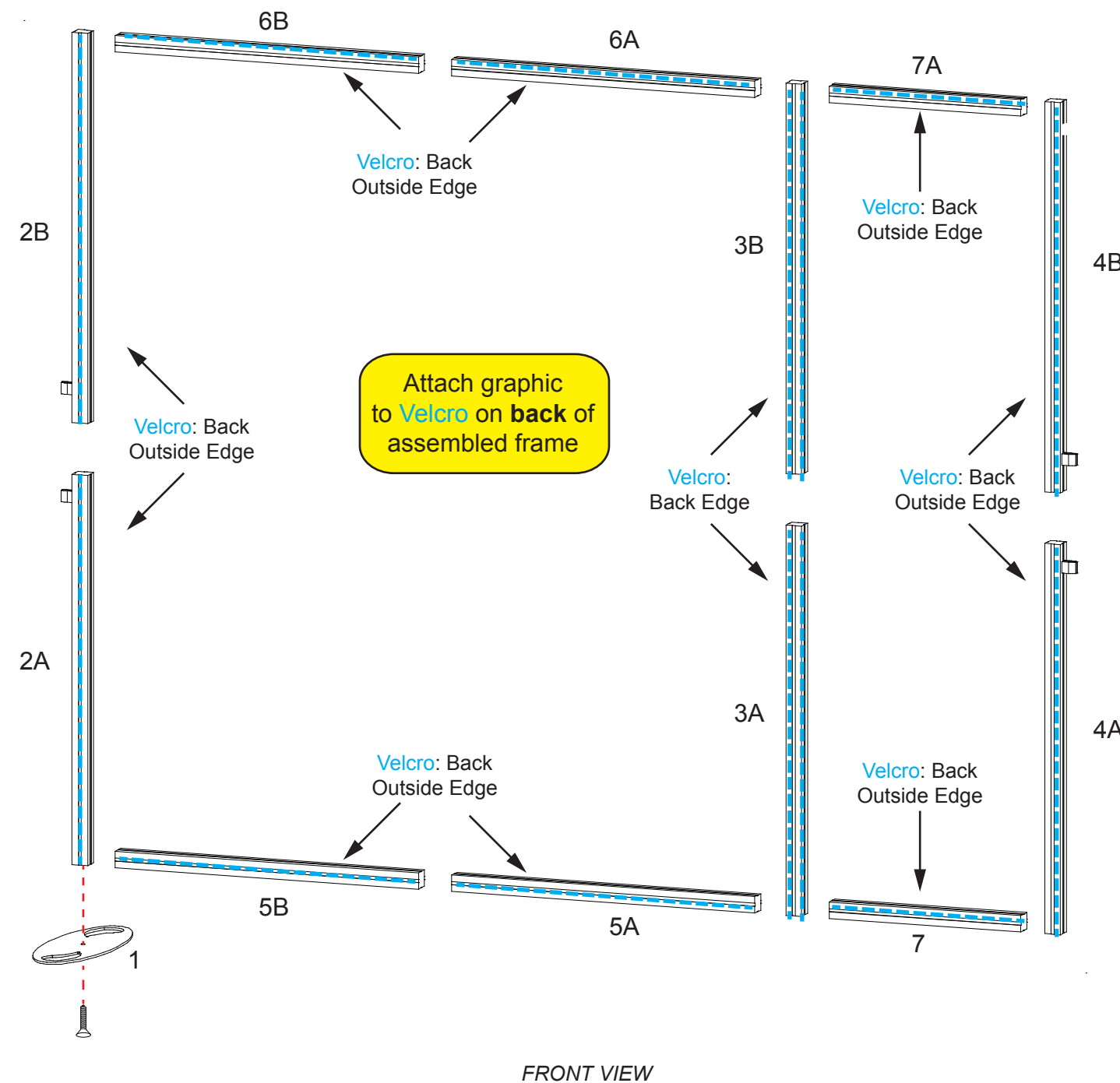
Item	Qty.	Description
1	3	Base Plate
2A,2B	1/1	43”h S44 Vertical Extrusion
3A,3B	1/1	43”h S44 Vertical Extrusion
4A,4B	1/1	43”h S44 Vertical Extrusion
5A,5B	1/1	34.811”w S44 Horizontal Extrusion
6A,6B	1/1	34.811”w S44 Horizontal Extrusion
7/7A	1/1	22”w S44 Horizontal Extrusion

Steps:

- 1) Connect base plates [1] to lower vertical [4A] using bolts.
- 2) Connect verticals [2A-2B], [3A-3B], [4A-4B] together.
- 3) Connect horizontals [5A-5B], [6A-6B] together.
- Velcro is applied to back side of extrusions.
- 4) Attach horizontals between verticals as shown.
- 5) Attach graphic to backwall where indicated.



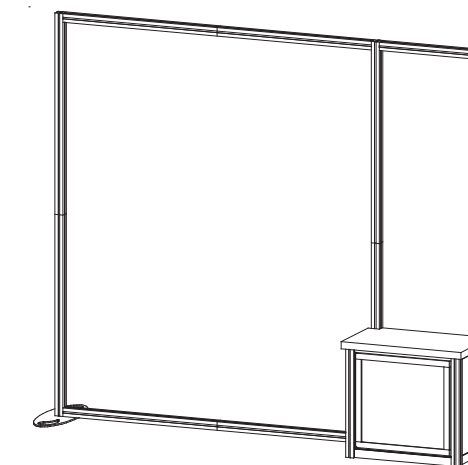
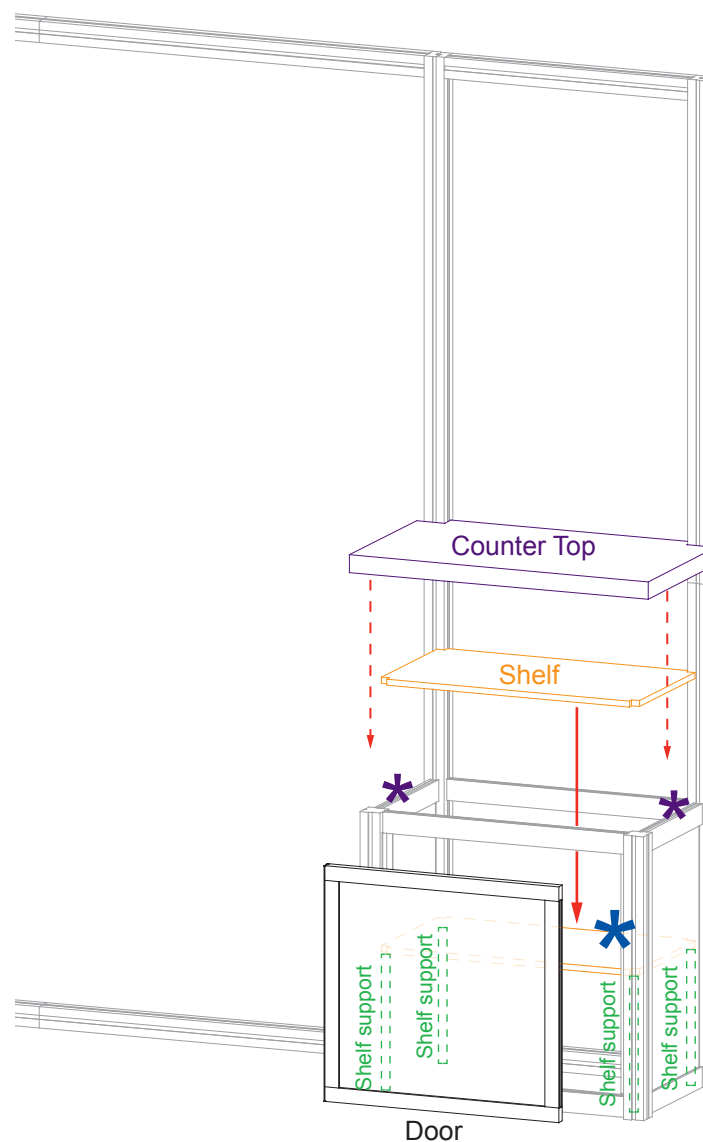
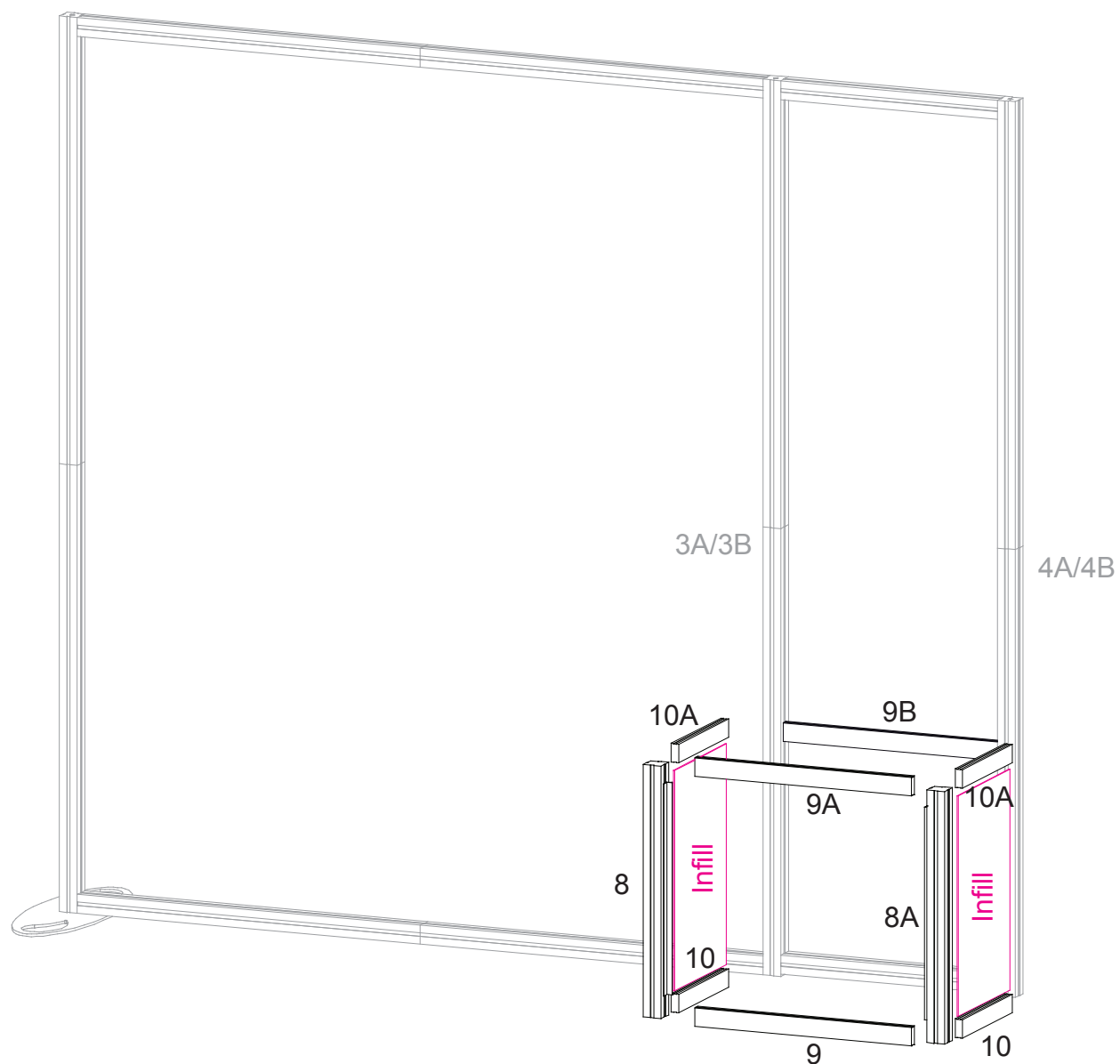
When assembled





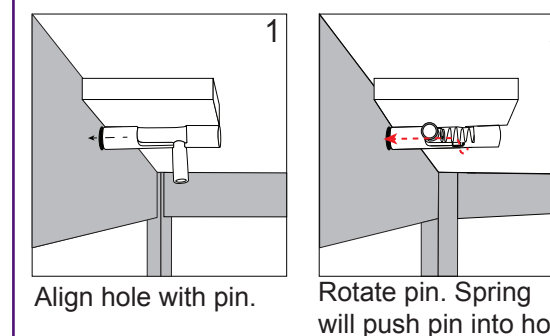
Item	Qty.	Description
8	1	24.25" h S44 Vertical Extrusion w/ Door Stopper
8A	1	24.25" h S44 Vertical Extrusion w/ Door Hinges
9/9A	1/1	22" w Z45 Horizontal Extrusion
9B	1	22" w Z45 Horizontal Extrusion
10/10A	2/2	12" w Z45 Horizontal Extrusion

- Steps:
- 1) Connect horizontals [9] & [9A] between verticals [8] & [8A].
  - 2) Connect lower horizontals [10] between verticals.
  - 3) Insert **infills** between verticals & secure with horizontals [10A].
  - 4) Attach horizontal [9B] between backwall verticals [3A/3B] & [4A/4B].
  - 5) Install Door between verticals [8,8A]. See [Door Attachment](#) detail.
  - 6) Affix **Shelf Supports** to inside of assembly using Velcro; place internal **Shelf**.
  - 7) Attach Counter Top to upper horizontals [9A/9B/10A].  
See [Counter Top Attachment](#) detail.

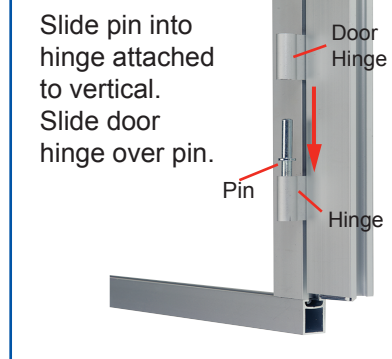


When assembled

**\* Counter Top Attachment**

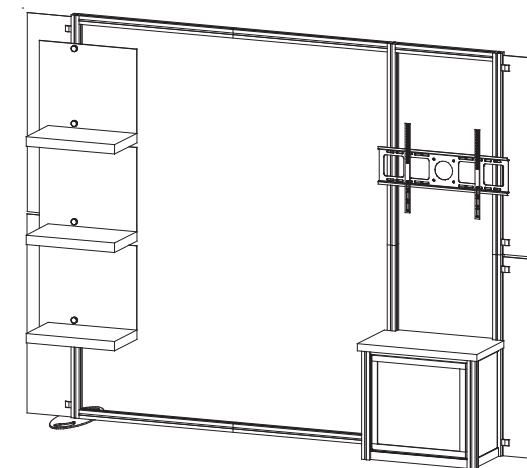
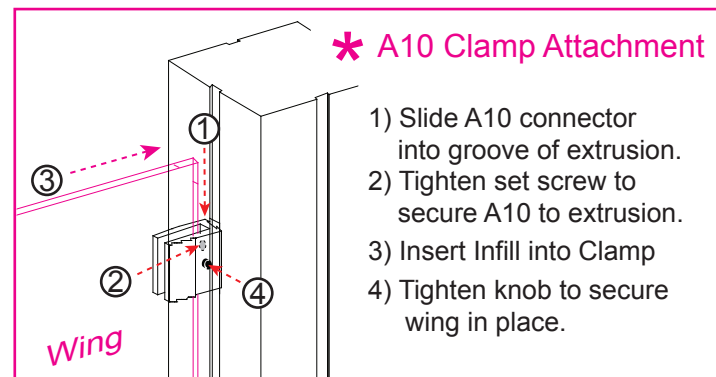


**\* Door Attachment**

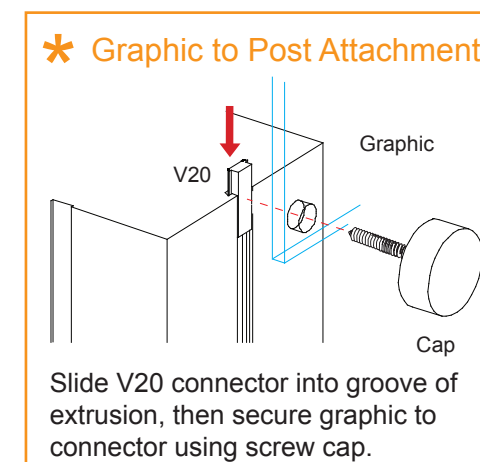
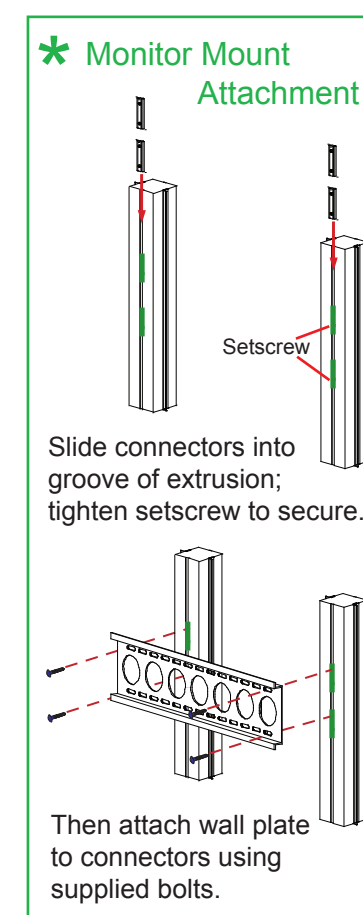
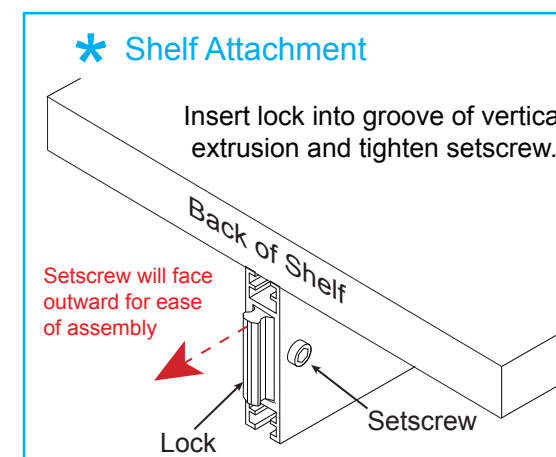
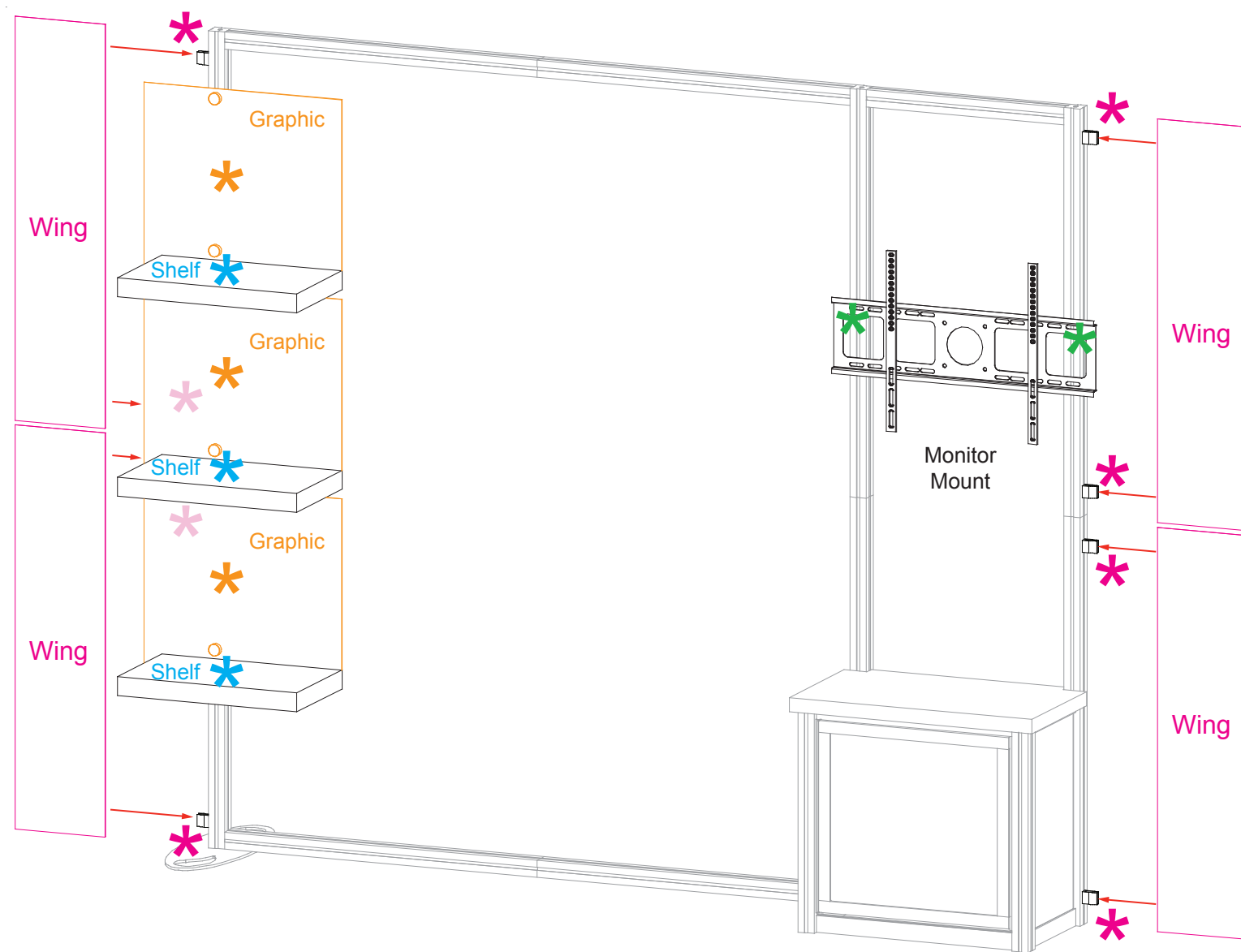


Steps:

- 3) Install Monitor Mount to verticals [3A/3B], [4A/4B].  
See [Monitor Mount Attachment](#) detail.
- 4) Attach Wings to verticals [2A/2B], [4A/4B], using A10 clamps.  
See [A10 Clamp Attachment](#) detail.
- 5) Connect Shelves to backwall. See [Shelf Attachment](#) detail.
- 5) Attach Front Graphics to backwall using standoff caps.  
See [Graphic to Post Attachment](#) detail.



When assembled



# AERO

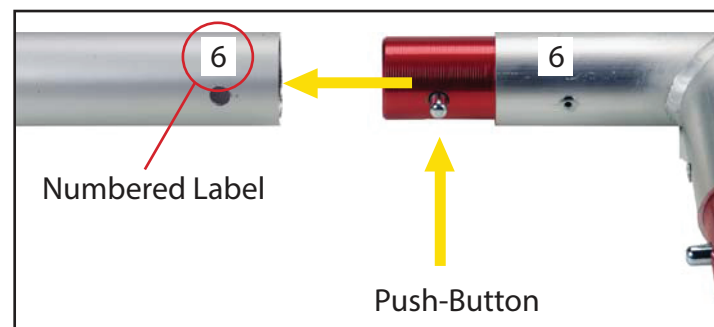
## Using Your Setup Instructions

The Aero Setup Instructions are created specifically for your configuration. The instructions include an exploded view of the frame which is sequentially labeled. We encourage you to review the instructions before attempting to assemble your exhibit.

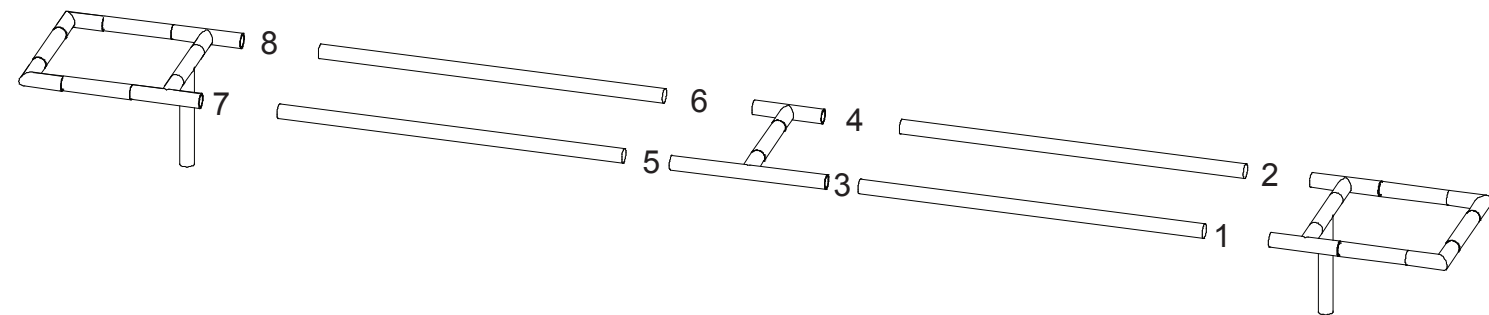
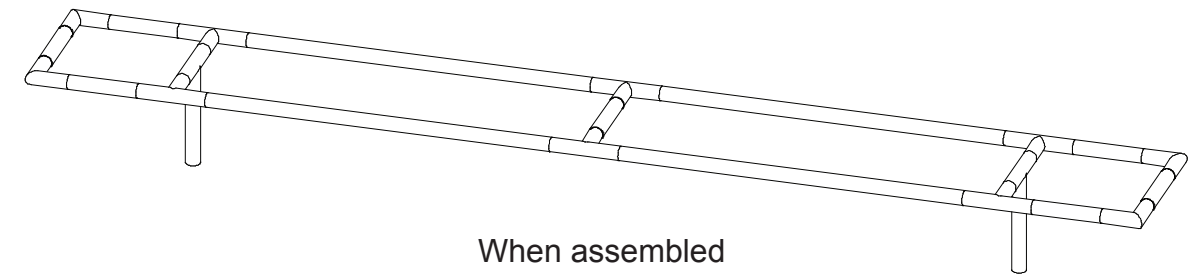
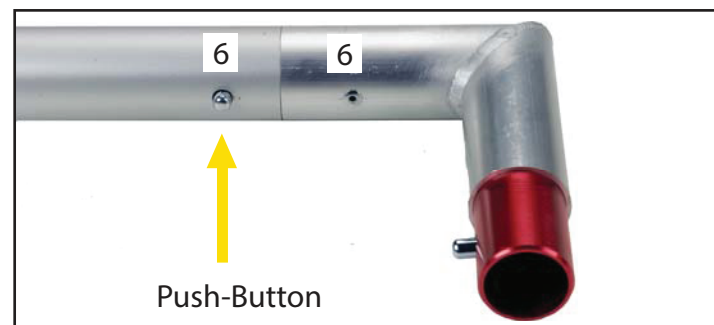
Connections are kept very simple; no tools required. Everything assembles with push-button connectors.

## Cleaning and Packing Your Display

- 1) Use care when cleaning aluminum extrusion or acrylic inserts. Use only non-abrasive cleaners.
- 2) Retain all packing material. It will make re-packing much easier and will reduce the likelihood of shipping damage.



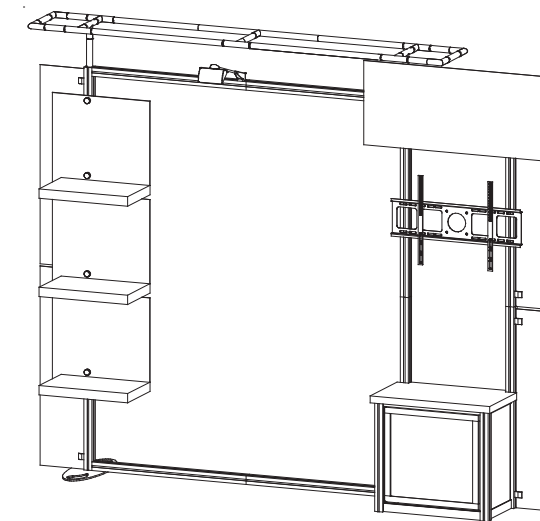
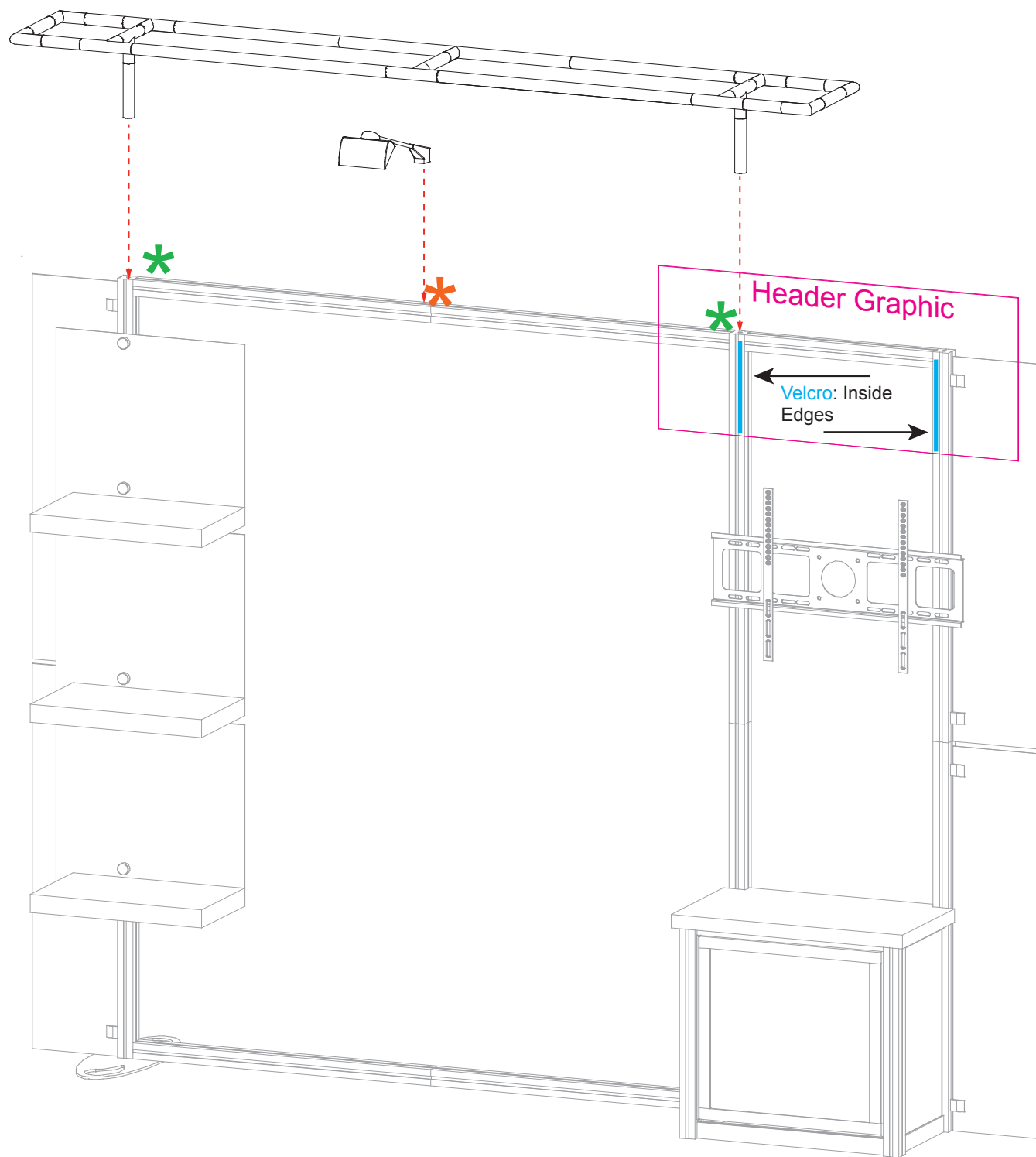
Connections are made by holding the button down and sliding the red tube into opposing tube until button locks into the hole of the opposing tube. To disassemble, push button and pull or twist extrusions apart.



## Steps:

- 1) Assemble Aero Frame parts labeled [1] through [8] together in numerical order, as shown.
- 2) Apply Pillowcase Graphic to assembled frame.

- Steps:
- 1) Use Canopy Mounts to attach canopy to upper verticals. See [Canopy Mount Attachment](#) detail.
  - 2) Attach light as shown. See [Light Attachment](#) detail.
  - 3) Attach Header Graphic to backwall, using [Velcro](#).



Completed Assembly

**\* Canopy Mount Attachment**

Turn to tighten

Canopy Mount

Insert Canopy Mount into threaded hole in top of vertical. Turn barrel clockwise to tighten in place.

The diagram shows a cylindrical canopy mount being inserted into a threaded hole in the top of a vertical post. A red arrow indicates the direction to turn the barrel clockwise to tighten it.

**\* Light Attachment**

Lock Clip into Groove of Horizontal Extrusion, then slide Light onto Clip.

Slide light into light receiving hardware

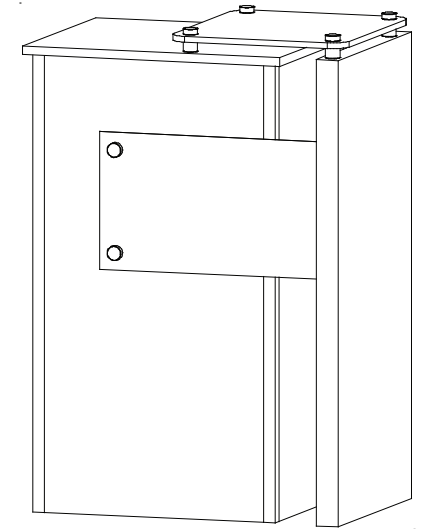
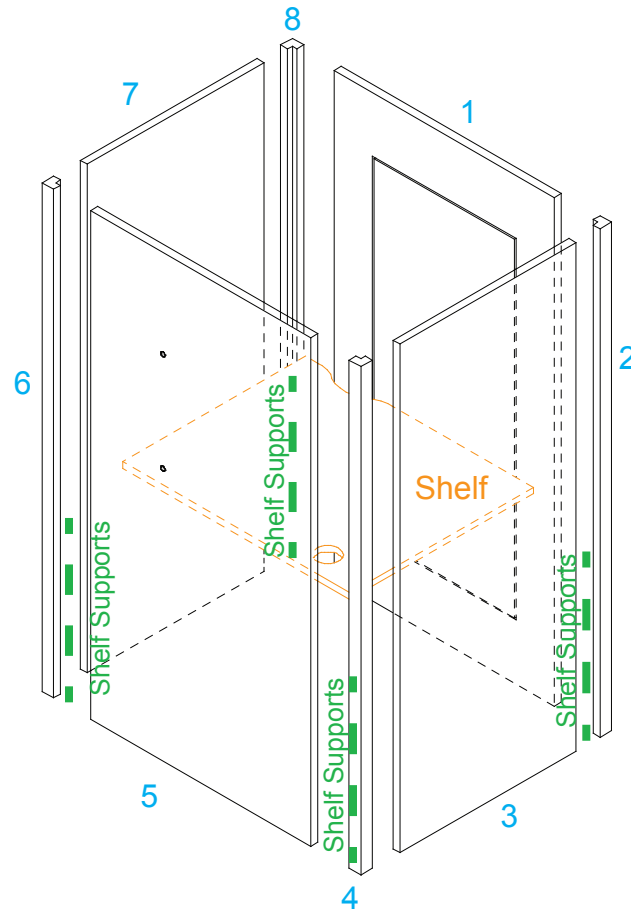
Lock into groove of horizontal

The diagram shows a light fixture being attached to a horizontal extrusion. A clip is first locked into the groove of the extrusion, and then the light fixture is slid onto the clip. An inset shows a close-up of the clip locking into the groove.

Item	Qty.	Description
1	1	20"w x 40"h ECO Panel w/ Door
2	1	40"h 90° Connector
3	1	16"w x 40"h ECO Panel
4	1	40"h 90° Connector
5	1	20"w x 40"h ECO Panel
6	1	40"h 90° Connector
7	1	16"w x 40"h ECO Panel
8	1	40"h 90° Connector
9	1	19.5"w x 40.75"h x 2"d Counter Support Leg

**Steps:**

- 1) Assemble panels & connectors [1] through [8] in numerical order.  
*Refer to the ECO Panel Install general information page.*
- 2) Affix Shelf Supports to interior of assembled pedestal, using Velcro; place interior Shelf on top of supports.
- 3) Attach Counter Support Leg [9] to Panel [3] of pedestal.  
See Counter Support Leg Attachment detail.
- 3) Connect Standoff Graphic to front of Panel [5] of pedestal.  
See Graphic Attachment detail.
- 4) Place Counter Top on top of assembled pedestal.
- 5) Attach Plex Counter to top of pedestal using stand-off Barrels & Caps.



When assembled

